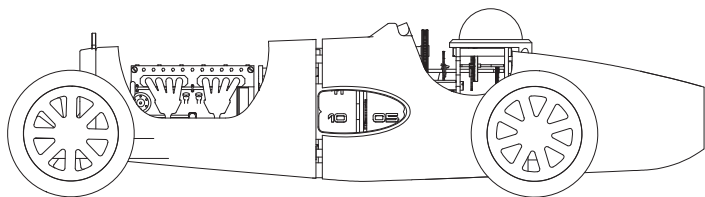


T35

USER INSTRUCTIONS



L'EPEE

1839

CONGRATULATIONS

You have just acquired T35, an advanced timepiece by L'Epée 1839.

T35 was designed and developed with passion and care by L'Epée 1839's master watchmakers in Delémont, Switzerland.

CONTENTS

Important information	4
Care and Maintenance	5
Kinetic sculpture	6
Winding the movement	7
Time setting	8
Hours and minutes display	9
The handbrake	10
The lighter	11

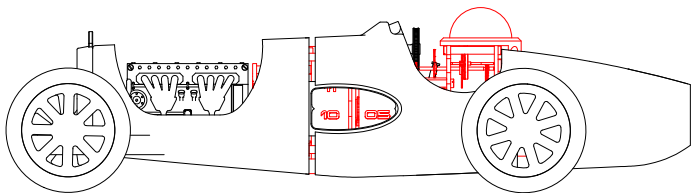
IMPORTANT INFORMATION

Please be very careful to never touch the red components pictured below.

The movement should never be in contact with any liquids - even in vaporized form. If it occurs, the clock should be serviced immediately.

A simple contact on certain pieces can generate delays in timekeeping, which can only be solved by servicing.

Fingerprints will also damage the coating.

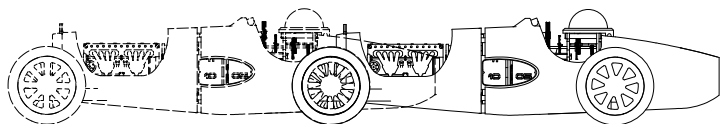


CARE AND MAINTENANCE

Use only a soft and dry cloth to clean the clock. Dust and particles contained in the cloth could scratch parts. Do not use any kind of cleaning products to wipe the clock . It is recommended to keep the clock distant from any source of heat or vibrations. To preserve the longevity and functionality of T35, do not permanently expose the clock to direct sunlight or in a humid or dusty place.

Our clocks are developed to ensure optimal accuracy and reliability. It is well accepted for a fine mechanical clock to have a few seconds' variation per day and our clocks are set so as not to delay. However if you should notice a bigger variation, please contact an authorized dealer who will advise you, or a L'Épée 1839 technical support center which will proceed with the necessary adjustment.

As for all Horological pieces of art, it is recommended to periodically service your clock. A mechanical masterpiece requires fine oils for the lubrication of the movement. These oils deteriorate over the years. We therefore advise having the movement serviced every 3 to 5 years. Be aware that the optimal period between servicing times can vary depending on the surrounding environmental conditions.



Be aware that T35 can roll forward with your impulsion. Be careful to not make it fall off a table.

Moving backwards will wind the movement

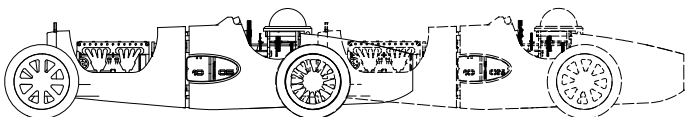
WINDING THE MOVEMENT

To wind the movement, make the car go backward, exactly like a pull-back car.

The movement should be fully wound every 8 days.

Be sure to wind up the spring completely. At the end of the winding procedure, you will feel the necessary force increase significantly; do not wind further as this is the sign that the movement is fully wound.

Once the movement is fully wound, you will not be able to move the car backward anymore. Do not force.

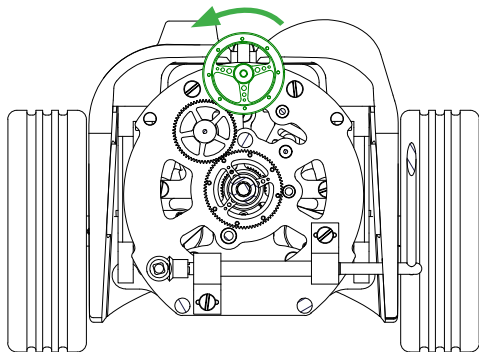


Move backward to wind the movement

TIME SETTING

Use the steering wheel of T35 to set the time. Turn the wheel only to the left, anti-clockwise when you are on the driver's seat.

The two discs (Hours and Minutes) are able to move only forward (rotating to the bottom).



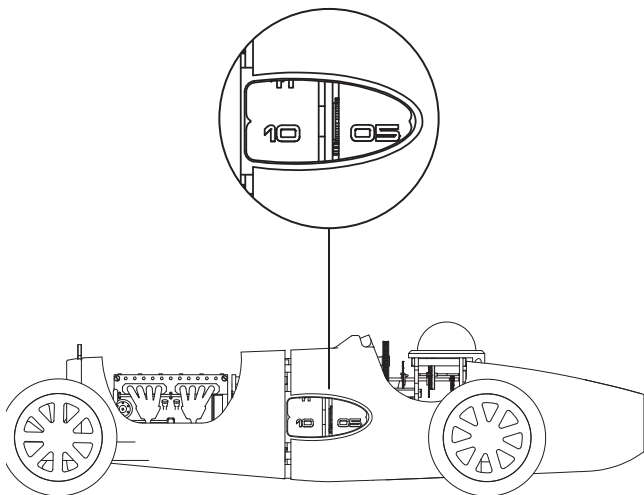
You can turn the steering wheel to the right to place the steering wheel on the desired position. This will not make the two dials (hours and minutes) move.

HOURS AND MINUTES DISPLAY

Hours and minutes are displayed by an arrow on the side of T35.

Exemple:

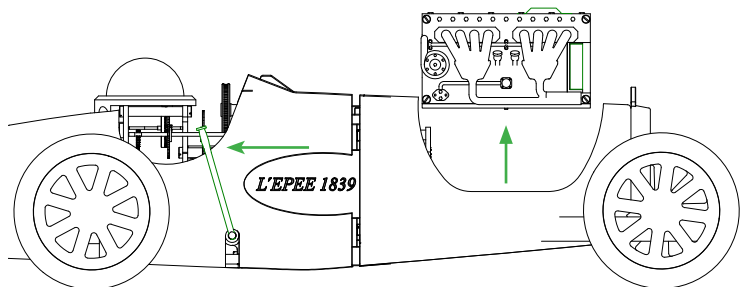
Here it is 10:05



THE HANDBRAKE

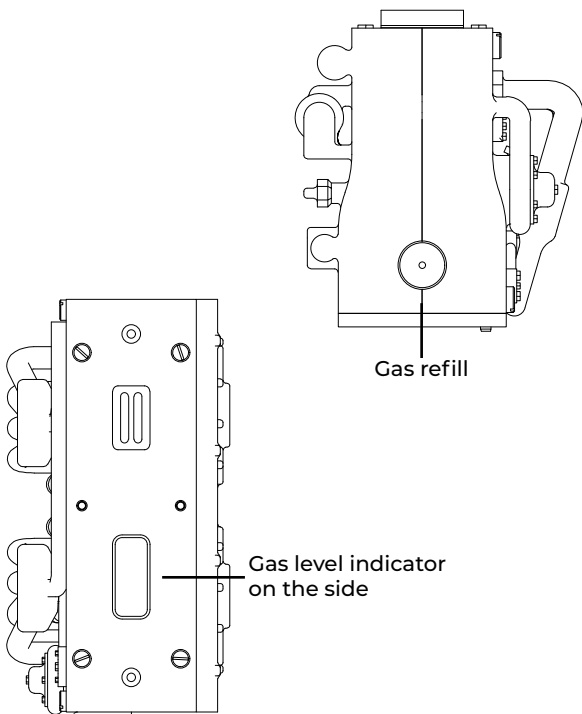
Push to the back: to release the engine and reveal the lighter. The lighter is placed on a magnet.

Push to the front: to lock the lighter back in place



THE HIDDEN LIGHTER

The hidden gas lighter can be refilled and includes a gas level indicator.



L'Epée 1839

Swiza Sa Manufacture
rue St-maurice 1
PO BOX 340
2800 Delémont
Switzerland

Customer Service:
Tel. +41 (0)32 421 94 05
Mail. sav@swiza.ch

www.lepee1839.ch