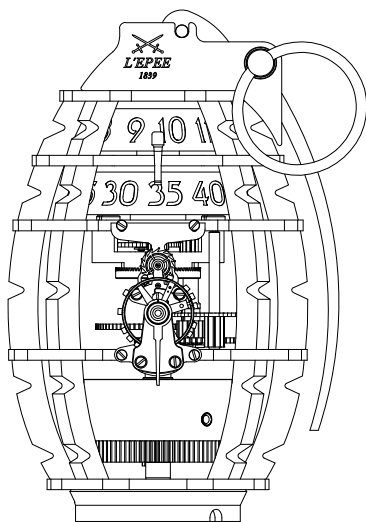


# GRENADE

## USER INSTRUCTIONS



  
**L'EPÉE**  
1839



## CONGRATULATIONS

You have just acquired Grenade, an advanced timepiece by L'Épée 1839.

The Grenade was designed and developed with passion and care by L'Épée 1839's master watchmakers in Delémont, Switzerland.

## CONTENTS

Important information	3
Care and Maintenance	4
The Key	5
Winding the movement	6
Setting the time	7
Hours and Minutes display	8

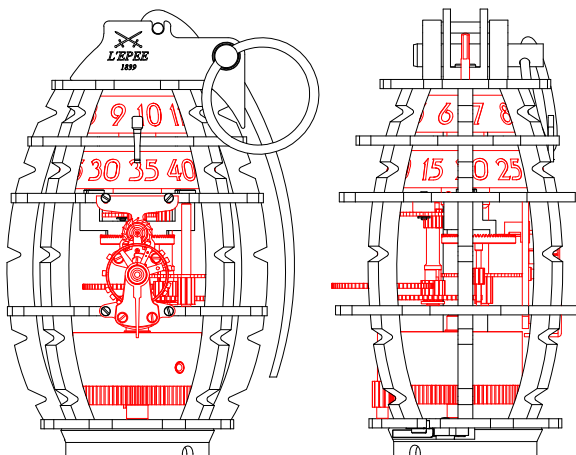
## IMPORTANT INFORMATION

Please be very careful to never touch the red components pictured below.

The movement should never be in contact with any liquids - even in vaporized form. If it occurs, the clock should be serviced immediately.

A simple contact on certain pieces can generate delays in timekeeping, which can only be solved by servicing.

Fingerprints will also damage the coating.



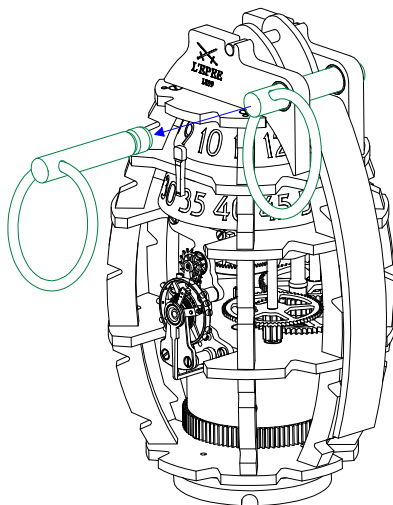
## CARE AND MAINTENANCE

Use only a soft and dry cloth to clean the clock. Dust and particles contained in the cloth could scratch parts. Do not use any kind of cleaning products to wipe the clock. It is recommended to keep the clock distant from any source of heat or vibrations. To preserve the longevity and functionality of Grenade , do not permanently expose the clock to direct sunlight or in a humid or dusty place.

Our clocks are developed to ensure optimal accuracy and reliability. It is well accepted for a fine mechanical clock to have a few seconds' variation per day and our clocks are set so as not to delay. However if you should notice a bigger variation, please contact an authorized dealer who will advise you, or a L'Épée 1839 technical support center which will proceed with the necessary adjustment.

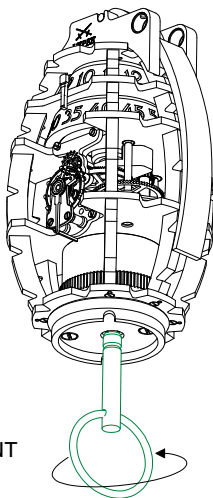
As for all Horological pieces of art, it is recommended to periodically service your clock. A mechanical masterpiece requires fine oils for the lubrication of the movement. These oils deteriorate over the years. We therefore advise having the movement serviced every 3 to 5 years. Be aware that the optimal period between servicing times can vary depending on the surrounding environmental conditions.

**To wind the movement and set the time, use the Grenade's key.**



## WINDING THE MOVEMENT

The movement should be fully wound every 8 days. Be sure to wind up the spring completely. At the end of the winding procedure, you will feel the necessary force increase significantly; do not wind further as this is the sign that the movement is fully wound.



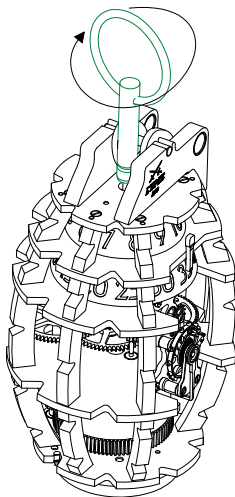
**WINDING  
THE MOVEMENT**  
Anti-clockwise



## SETTING THE TIME

Using the key, turn anti-clockwise in order to set the time. Be careful, setting the time in the wrong way could damage the mechanism and a service would be needed immediately.

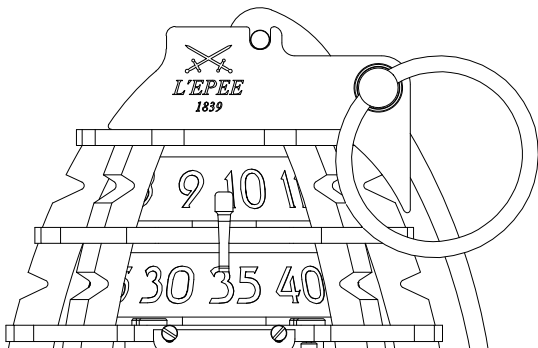
**SETTING  
THE TIME**  
Anti-clockwise



## HOURS AND MINUTES DISPLAY

Hours and minutes are displayed on two rotating disks. The current time is indicated by a small grenade.

Example:  
*Here it is 9:34*





## L'Epée 1839

Swiza Sa Manufacture  
rue St-maurice 1  
PO BOX 973  
2800 Delémont  
Switzerland

Customer Service:  
Tel. +41 (0)32 421 94 05  
Mail. sav@swiza.ch

[www.lepee1839.ch](http://www.lepee1839.ch)